

**REPLACEMENT OR
ADDITIONAL MANUALS
AVAILABLE AT
EXTRA COST.**

**KIWI CODERS CORPORATION
MODEL T106 TAPE PRINTER**

KIWI CODERS CORPORATION - 265 E. MESSNER DRIVE, WHEELING, IL 60090-6495 USA
PHONE: 847-541-4511 FAX: 847-541-6332
E-MAIL: info@kiwicoders.com INTERNET: www.kiwicoders.com

**GIVE SERIAL NUMBER OF YOUR PRINTER WHEN ORDERING PARTS.
ORDER PARTS BY FULL DESCRIPTION AND PART NUMBER.**

KIWI CODERS CORPORATION

TAPE PRINTER

INSTRUCTIONS

MOUNTING: All tape printers come equipped with mounting brackets for attaching the printer to the tape dispenser. These mounting brackets vary according to the type of tape dispenser being used.

TAPE THREADING: Refer to Figure 1 for the proper method of threading the tape thru the tape printer.

INSERTING TYPE: The marking wheel can be easily removed from the tape printer by first lifting up the marking wheel arm (Item 7) shown on Figure 2, and then pulling the marking wheel away from the tape printer.

After the marking wheel is removed, the desired type can be inserted onto the marking wheel. The wheel can then be reinstalled into the printer.

To remount the marking wheel into the printer, place wheel under the marking wheel arm (Item 7) and push the wheel in until it snaps into place.

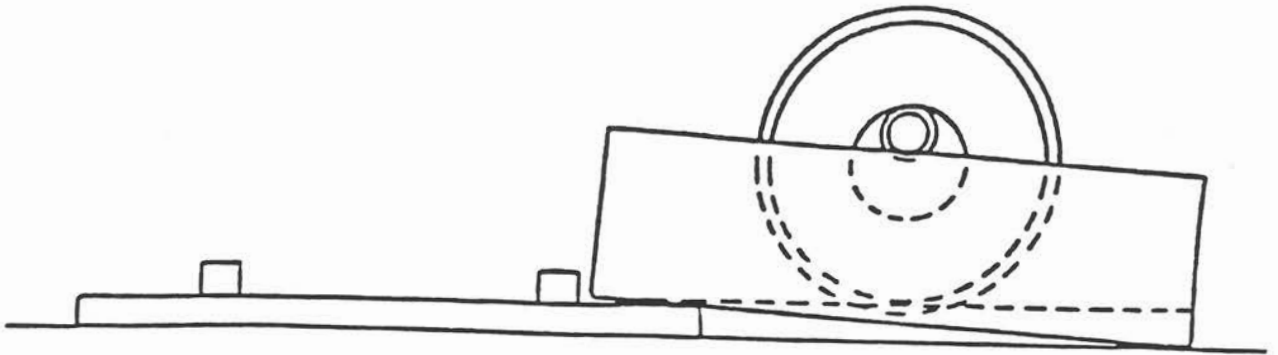
INK CARTRIDGE ADJUST:

A - The lever on the bottom of the ink cartridge is used for cartridge adjustment. Move lever until kiss contact between the cartridge and type is obtained. Excessive pressure will:

1. Restrict marking wheel rotation;
2. Cause premature cartridge wear;
3. Reduce ink mileage.

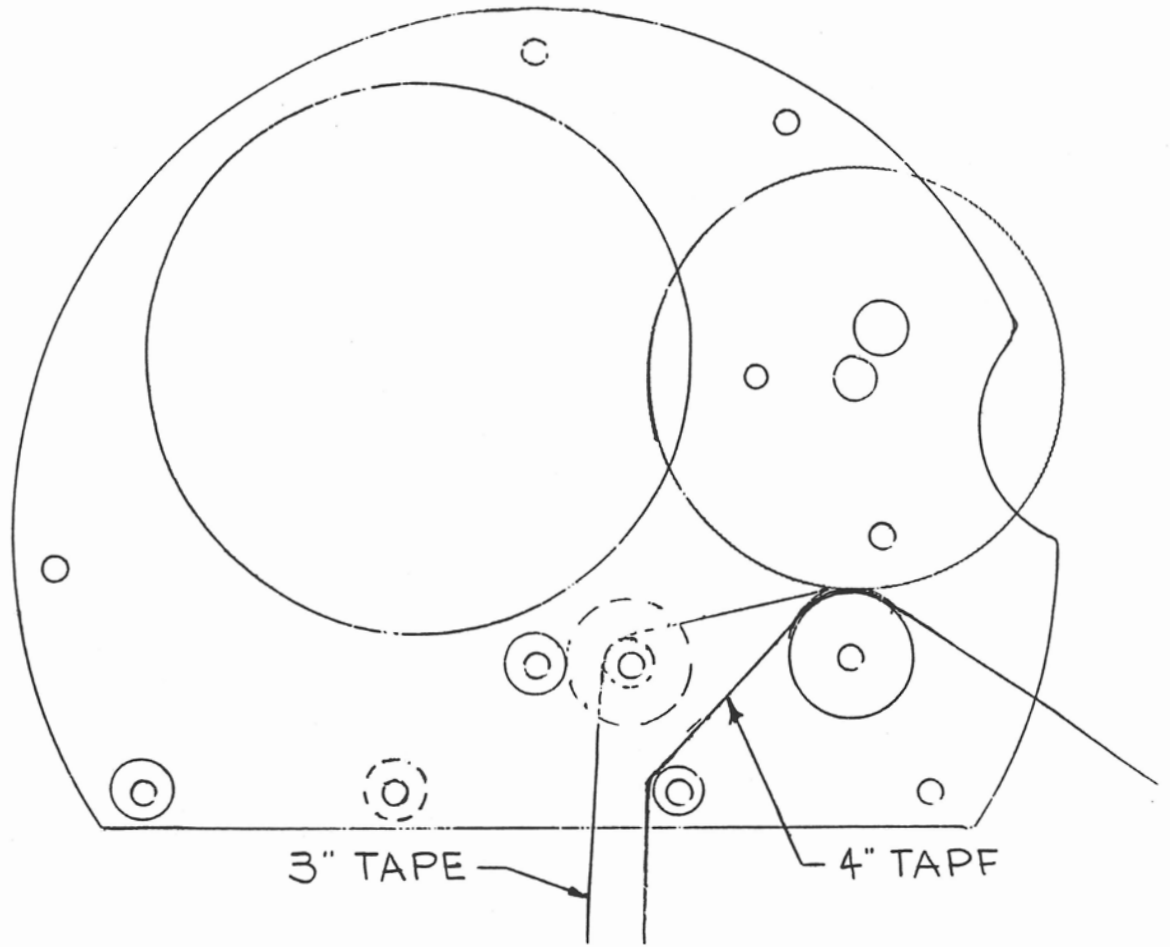
B - When replacing ink cartridge, move lever so cartridge is fully backed away from marking wheel.

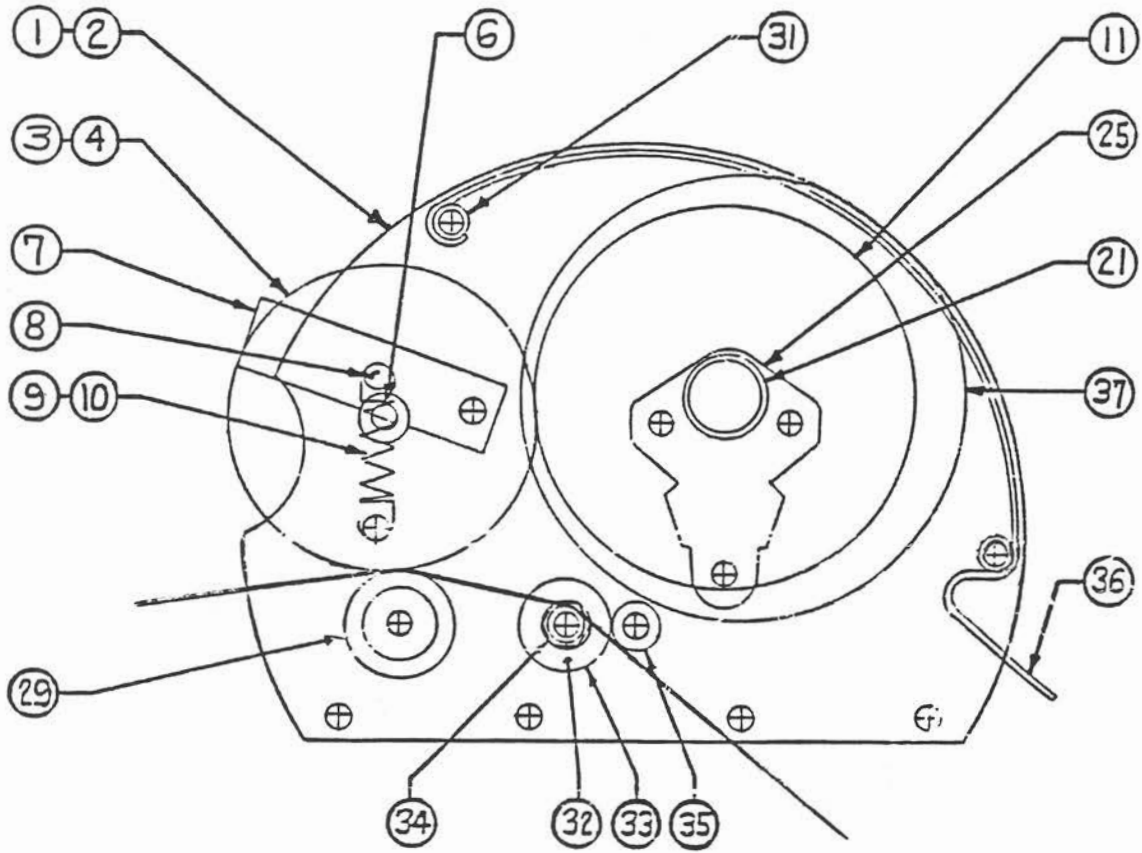
REINKER INSTRUCTIONS



1. INITIAL FILLING: A 4 oz. bottle of Kiwi Ink Should fill the chamber to the correct fill line. Replenish as required to bring the level back to the fill line.
2. REINKING: First, remove cover and place beneath one end as shown. THEN, Place K7 inker over axle shaft and begin rotating and reinking from the shallow end.
3. DRAINING EXCESS: If you ever over-ink and desire to drain the K7 inker, trap the axle at the shallow end with either paper clips or masking tape.
4. CAUTION: Each part is fully compatible with all Kiwi Ink. For proper performance of the reinker and your marking equipment, always use KIWI INKS.
5. ALWAYS SNAP COVER IN PLACE AROUND ENTIRE EDGE;it will save ink evaporation and avoid spillage if someone picks up the reinker by its cover.

T106 TAPE MARKER





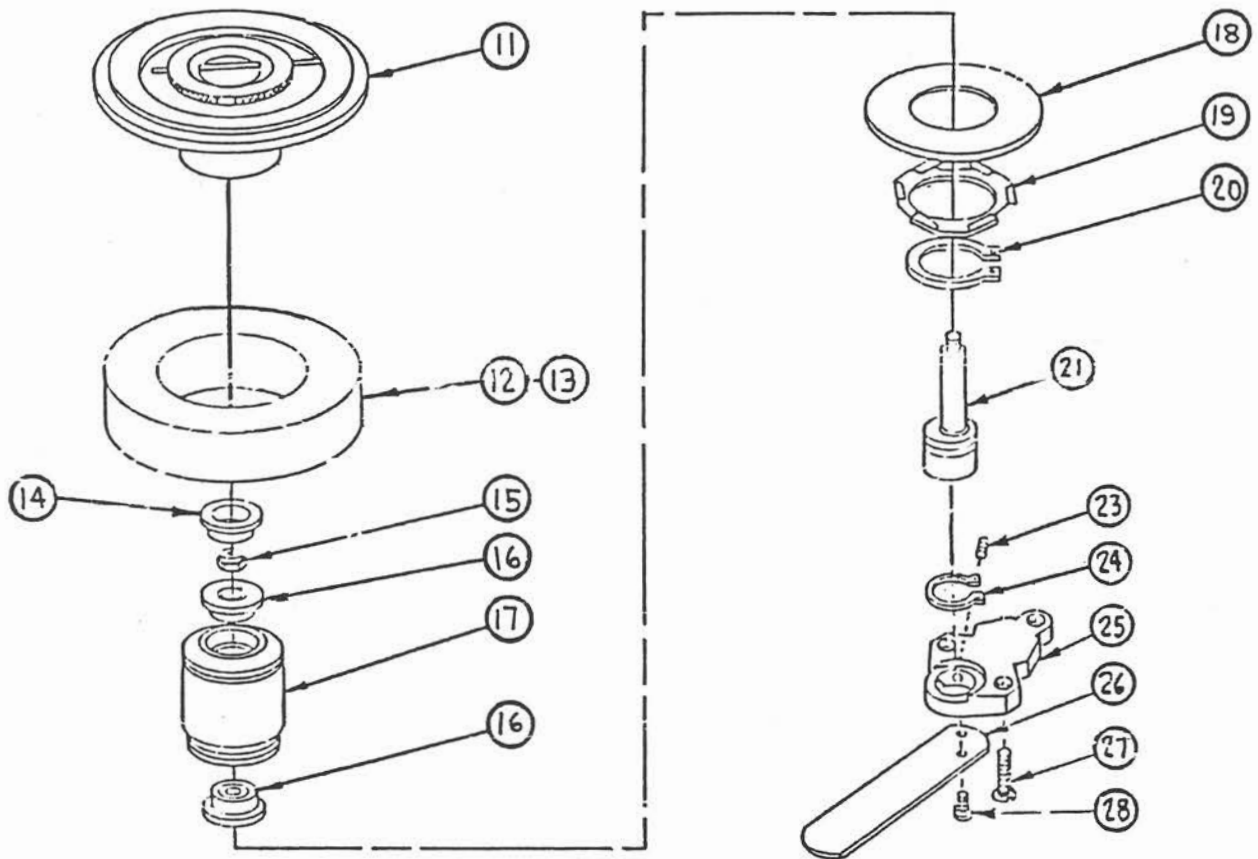
KIWI TAPE PRINTER
MODEL T106
FIGURE 2



KIWI CODERS CORPORATION
 265 E. MESSNER DRIVE • WHEELING, ILLINOIS 60090

K - SERIES INKING ASSEMBLY

FIGURE 3



 *
 * P A R T S L I S T K I W I T A P E P R I N T E R M O D E L T 1 0 6
 *
 *

ITEM	DESCRIPTION	PART NO	QTY
1	Plate, Side - Right S.S. T104-T106	F078070	1
2	Plate, Side - Left S.S. T104-T106	F078071	1
4	Wheel, Mark 3-1/4 x 2-1/4 Specify Serial No.		1
5	Bushing Brass 1/4 x 3-7/16	F010300	1
6	Shaft Marking Wheel 1/4 x 4-1/16	F010295	1
7	Arm, Marking Wheel	F010246	2
8	Stud, Spring Holder 1/4 x 1-1/4	F010252	2
9	Spring-Ext. Manual Tape Dispenser	F036276	2
10	Spring-Ext. Electric Tape Dispenser	F036277	2
	K SERIES INKING ASSEMBLY ITEMS 11 THRU 28		
11	Assy, Inker Hub	F035237	1
12	Inker 4" OD x 2" W x 1-1/2 ID Specify Color		1
14	Plug, Plastic	F035124	1

KIWI CODERS CORPORATION - 265 E. MESSNER DRIVE - WHEELING, IL 60090
 847/541-4511 - Fax 847/541-6332

GIVE SERIAL NUMBER OF MACHINE WHEN ORDERING PARTS. ORDER PARTS BY
 FULL DESCRIPTION AND PART NUMBER

 *
 * P A R T S L I S T K I W I T A P E P R I N T E R M O D E L T 1 0 6 (C o n ' t .) *
 *
 *

ITEM	DESCRIPTION	PART NO	QTY
15	Nut, Hex Jam 1/4-28	F035104	1
16	Bearing, 3/8 ID	F035101	2
17	Spindle, Inker	F035277	1
18	Washer, Flat	F035114	1
19	Washer, Wave	F035085	1
20	Ring, Snap - Ext. 1-3/16	F035096	1
21	Axle - Eccentric - Extended	F010296	1
23	Screw, Set - Nylon Tip	F035131	2
24	Ring, Snap - Ext	F035094	1
25	Block, Retainer & Stop	F035155	1
26	Lever, Inker Adjust	F035130	1
27	Screw, 1/4-20 x 7/8	F035152	3
28	Screw, Pan Head 8-32	F035098	2

KIWI CODERS CORPORATION - 265 E. MESSNER DRIVE - WHEELING, IL 60090
 847/541-4511 - Fax 847/541-6332

GIVE SERIAL NUMBER OF MACHINE WHEN ORDERING PARTS. ORDER PARTS BY
 FULL DESCRIPTION AND PART NUMBER

 *
 * P A R T S L I S T K I W I T A P E P R I N T E R - M O D E L T 1 0 6 *
 *
 *

ITEM	DESCRIPTION	PART NO	QTY
29	Assy Roller, Impression 1" D x 4-1/16 Long	F010297	1
	w/2 400-6 Bearings		
30	Bearings, 400-6 (Used in Item 29)	F093209	2
31	Spacer, Tubing 3/8 OD x 4-1/8	F010298	2
32	Bushing, Brass 1/4 x 3-1/2 Lg.	F036315	1
33	Washer, Threaded 1/8-27 x 1" OD	F010251	1
34	Nut, Thin, 1/8-27	F010250	2
35	Collar , 1/4 ID	F036241	6
36	Cover, Stainless 4-1/16 Wide	F010299	1
37	Cover, Inker Plastic	F010293	1

KIWI CODERS CORPORATION - 265 E. MESSNER DRIVE - WHEELING, IL 60090
 847/541-4511 - Fax 847/541-6332

GIVE SERIAL NUMBER OF MACHINE WHEN ORDERING PARTS. ORDER PARTS BY
 FULL DESCRIPTION AND PART NUMBER