

**REPLACEMENT OR  
ADDITIONAL MANUALS  
AVAILABLE AT  
EXTRA COST.**

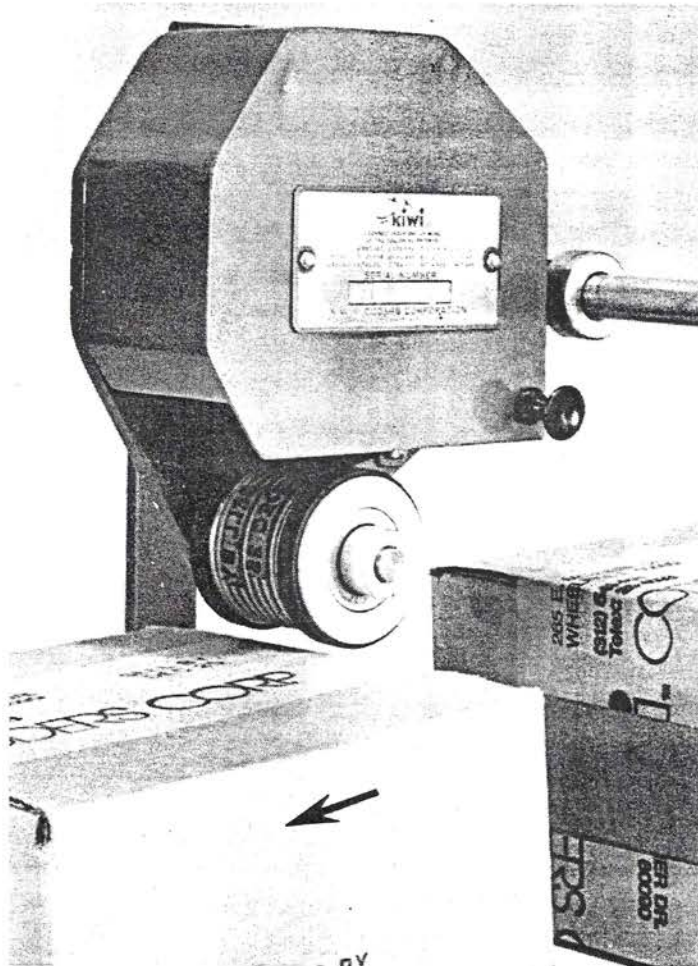
**KIWI CODERS CORPORATION  
SERIES 20 CODERS**

KIWI CODERS CORPORATION - 265 E. MESSNER DRIVE, WHEELING, IL 60090-6495 USA  
PHONE: 847-541-4511 FAX: 847-541-6332  
E-MAIL: [info@kiwicoders.com](mailto:info@kiwicoders.com) INTERNET: [www.kiwicoders.com](http://www.kiwicoders.com)

**GIVE SERIAL NUMBER OF YOUR PRINTER WHEN ORDERING PARTS.  
ORDER PARTS BY FULL DESCRIPTION AND PART NUMBER.**

P/N F010346

# SERIES 20 MINI CODER



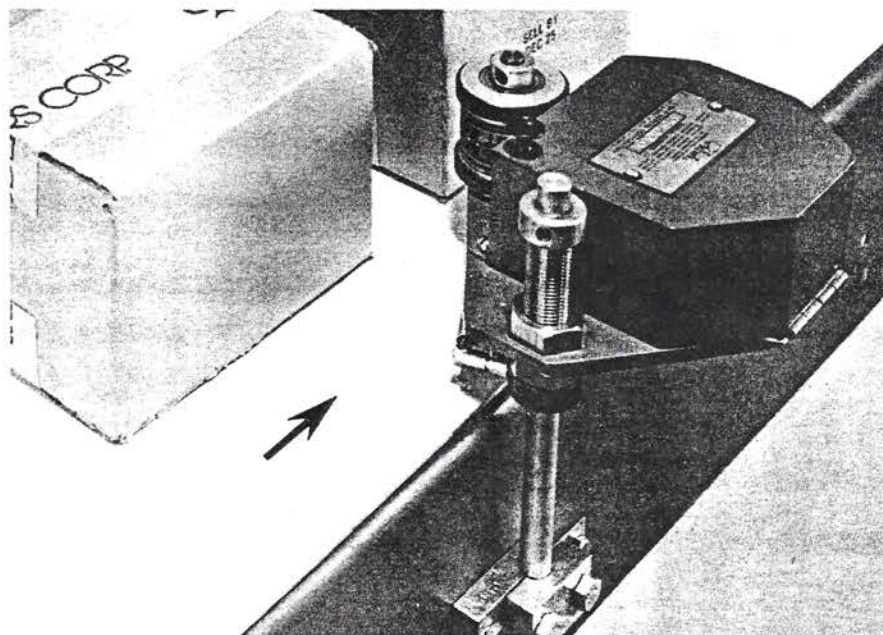
## FEATURES

- Compact — Fits in restricted spaces
- Continuous or registered imprints
- Ideal for imprinting small, lightweight cartons, (Low starting torque)
- Quick change ink cartridges, K1, K6, or K7. Inks for absorbent or semi-absorbent surfaces.
- Hinged cover protects ink cartridge from contaminants and ink evaporation.
- Side, top or bottom mounting

## APPLICATIONS

- Lightweight cartons, cigarette packs, cigarette cartons, continuous printing on webstock.

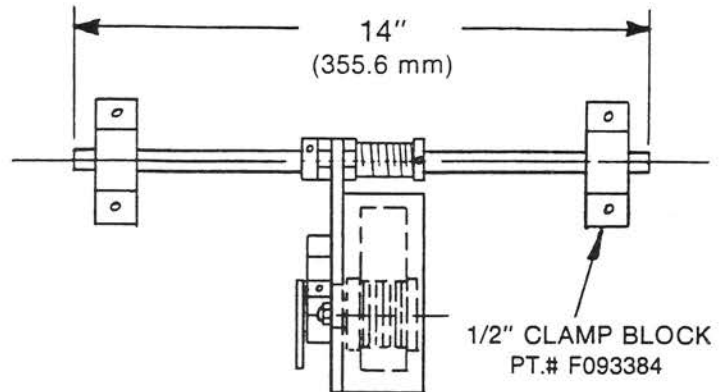
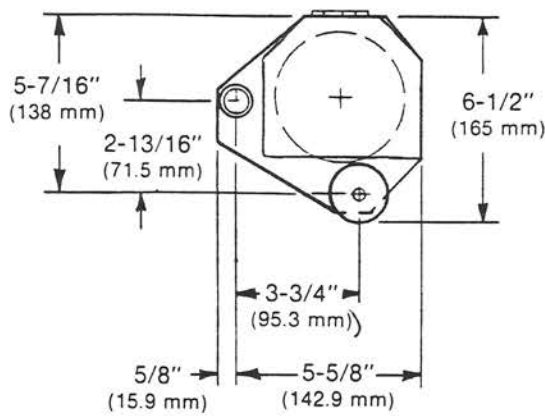
**MODEL 21T**



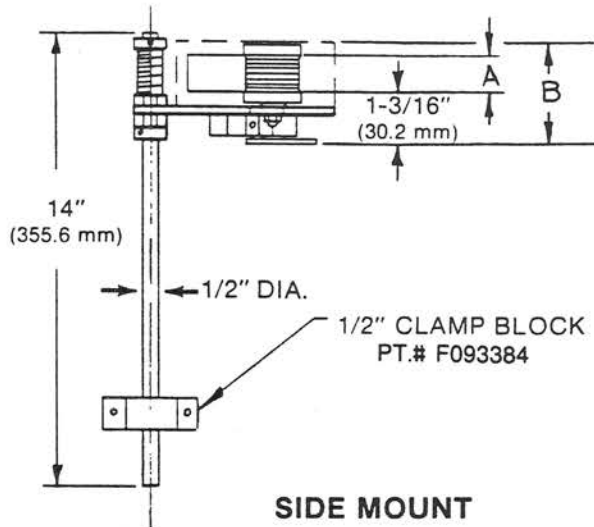
**MODEL 21S**

# KIWI SERIES 20 MINI CODERS

## Mounting Dimensions and Specifications



TOP MOUNT



SIDE MOUNT

Model	A PRINT HEIGHT	B OVERALL HEIGHT
21	7/8" (22.2 mm)	3" (76.2 mm)
22	1-7/8" (47.6 mm)	4" (101.6 mm)
23	2-7/8" (73 mm)	5" (127 mm)

**Note:** Coders furnished with mounting hardware and one ink cartridge less printing type.

### SPECIFICATIONS:

**Marking Wheel:** 6" (152mm) circumference. 1" (25.4mm) 2" (51mm) or 3" (76mm) marking wheel widths. 1/4" (6mm) wide replaceable rubber drive tracks. Continuous random imprint. Registered imprint optional

**Type System:** Baselock (Bulletin 160) or Kiwi elastic type bands.

**Inking System:** Quick change K1, K6, or K7 ink cartridges. Protective cover. Adjustable. Inks available for absorbent and semi-absorbent surfaces. Black, red, green, and blue colors available.

**Weight:** Approx. 5-1/2 lbs. (2.5 Kg.)

### How to Order:

1. Specify mounting — side, top or bottom.
2. Specify left or right hand mounting if side mount.
3. Specify ink color and surface to be imprinted.
4. Specify type size/style, message to be imprinted.

Model 2

{ S — Side Mount  
 T — Top or Bottom

{ 1 — 1" (25 mm) marking wheel width  
 2 — 2" (51 mm) marking wheel width  
 3 — 3" (76 mm) marking wheel width

Example: Model 21S



**KIWI CODERS CORPORATION**  
 265 E. Messner Drive • Wheeling, Illinois 60090

## SERIES 20 CODER

### INSTALLATION

#### Top or Bottom Mounting:

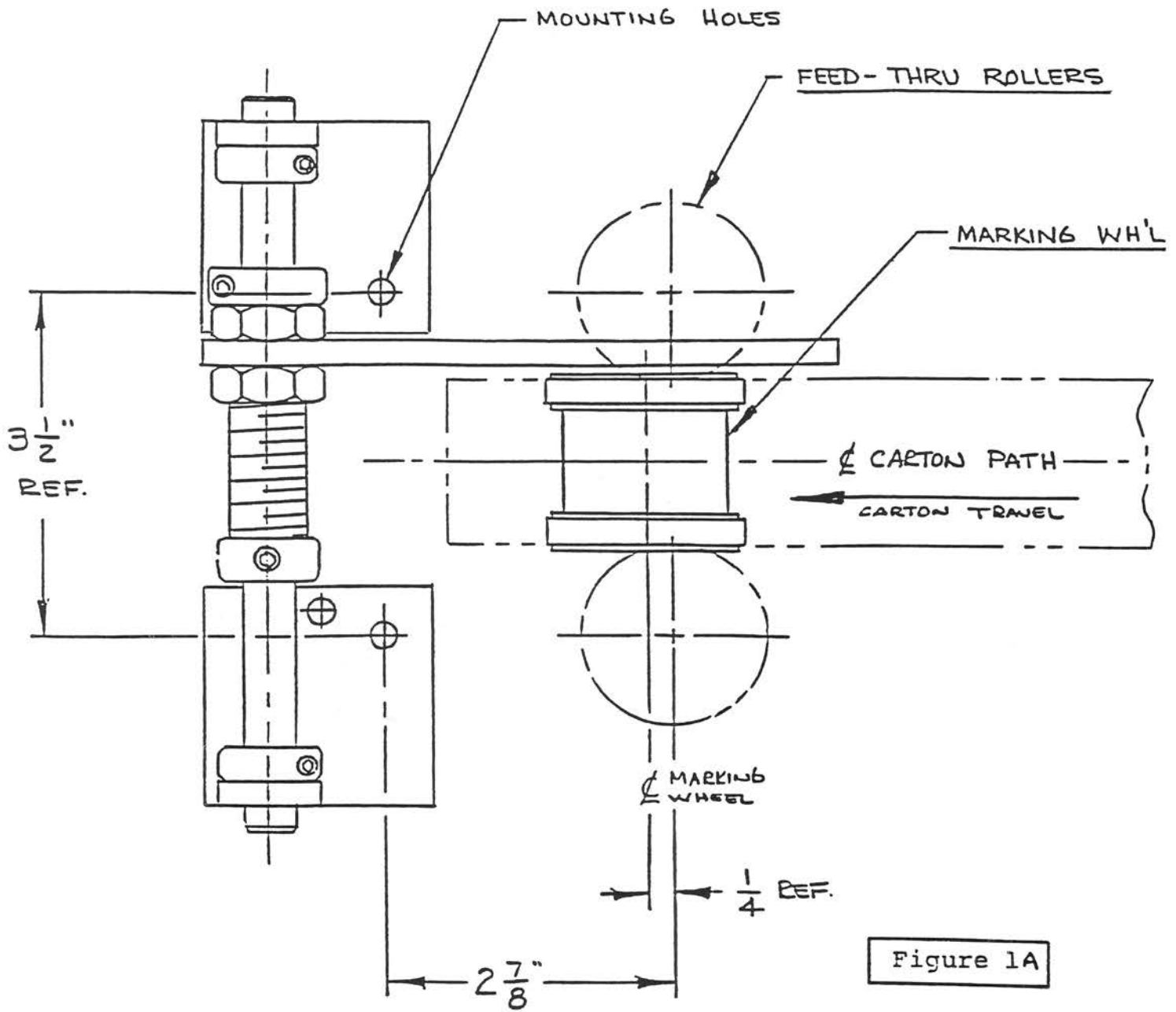
Install coder in desired location above or below conveyor. Secure both clamp blocks to customer supplied uprights.

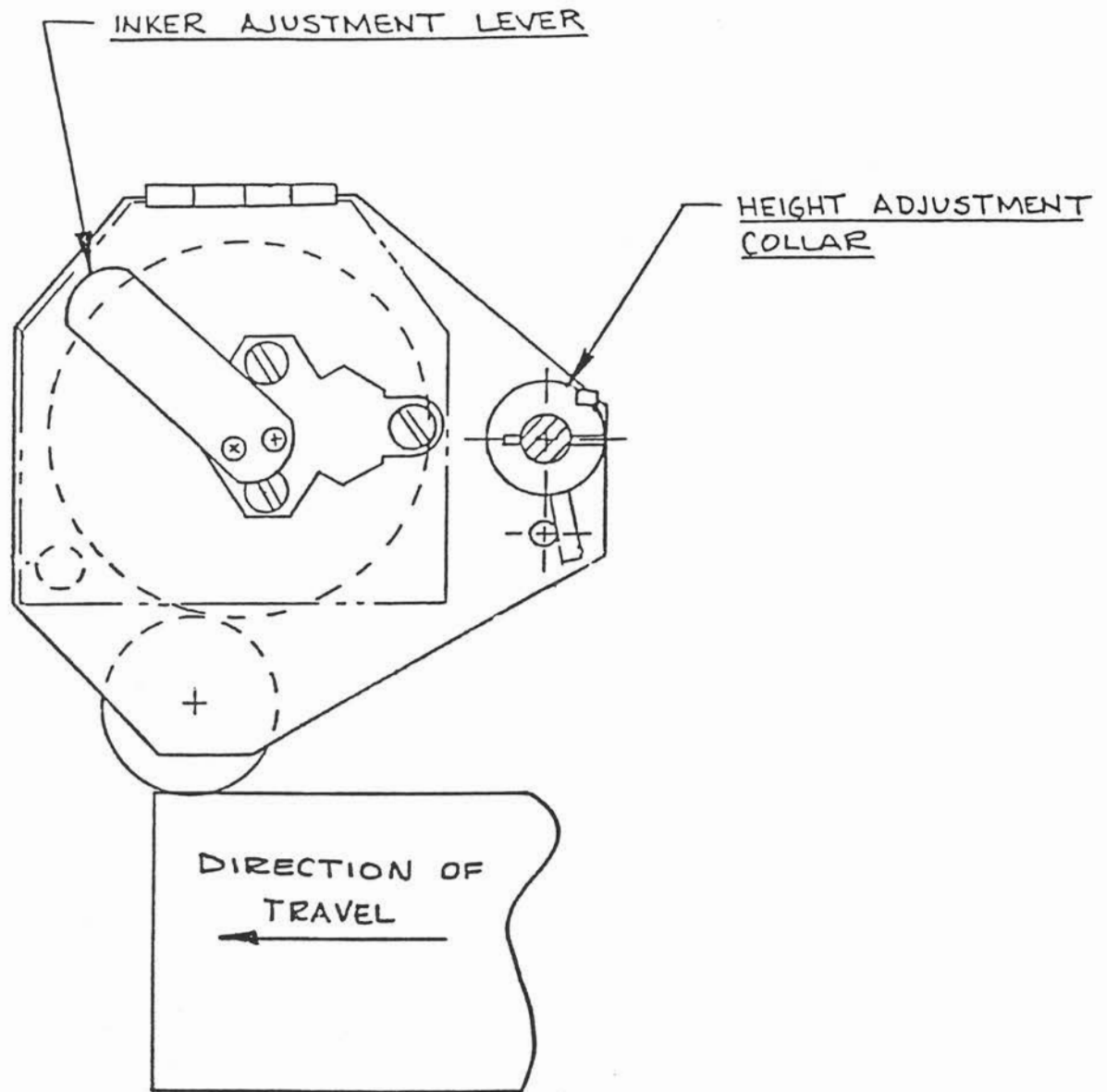
#### Side Mounting:

Determine whether a right or left hand coder is to be installed. A right hand coder must be mounted on the right side of the conveyor. A left hand coder on the left side. The right and left sides of a conveyor are determined by facing the direction in which products are moving away from you. Your right is the conveyor's right side, your left is the conveyor's left. Install coder on correct side by securing clamp block to side of conveyor.

#### Cigarette Package Mounting:

Install coder between carton opening shoe and tax stamp applicator to dimensions shown in Figure 1A. Fasten brackets with (4) #8 X 1-1/2" long screws that are supplied.





ADJUSTMENTS:

1. Loosen height adjustment collar and adjust coder up or down to make "kiss contact" with product to be imprinted. Retighten collar securely. Imprints should be sharp and clear.
2. Move inker adjustment lever until ink cartridge makes "kiss contact" with type.

NOTE: When removing ink cartridge, move lever so cartridge is fully away from marking wheel.

## OPERATING SUGGESTIONS

1. When not in use, remove ink cartridge from coder and place in plastic bag or sealed container. This will prevent ink from evaporating, extending cartridge life.
2. Use Reinker Kit for reinking cartridges. Follow the instructions provided with kit.

If cartridge appears to be overly saturated after reinking, roll a folded newspaper back and forth across the face of the cartridge to absorb excess ink. Cartridge should be mounted on coder and not making contact with marking wheel during this operation.

3. Use Kiwi #8 Ink Thinner & Conditioner to clean excess ink from type bands.
4. Keep cover down to prevent contamination on ink cartridges.
5. When ordering parts, give serial number of coder. Order parts by full description and part number.

**PARTS LIST - SERIES 20**

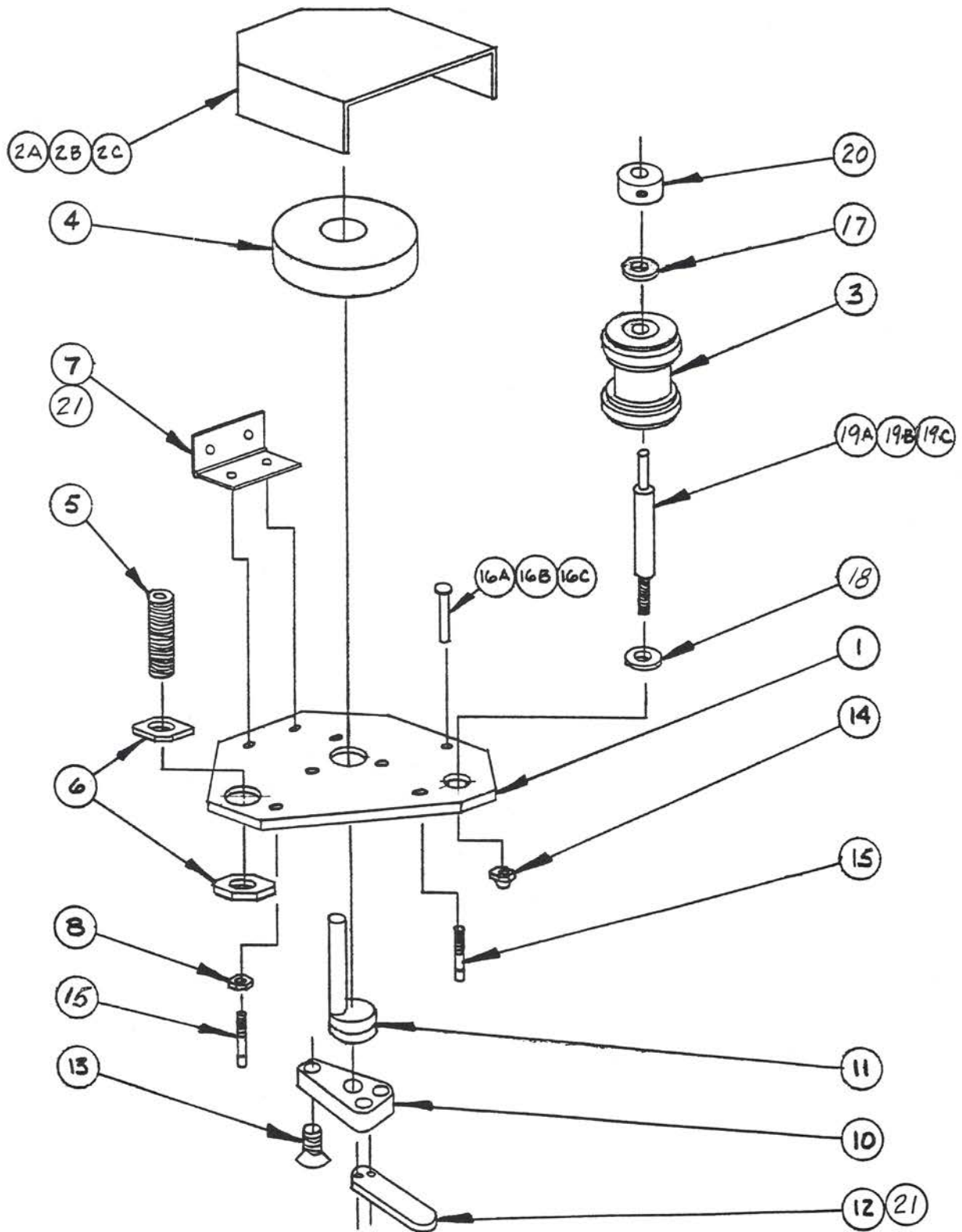
Main Assembly (Fig. 1)

ITEM	DESCRIPTION	PART NO.	QTY
1	Sideplate	F010220	1
2A	Inker Cover - 2" (Model 21 only)	F010301	1
2B	Inker Cover - 3" (Model 22 only)	F010302	1
2C	Inker Cover - 4" (Model 23 only)	F010303	1
3	Print wheel	See Fig. 3	1
4	Inker Assembly	See Fig. 4	1
5	Bushing, 1/2" ID x 2-3/8" Lg.	F092992	1
6	Nut, Brass Jam 3/4-16	F093198	2
7	Hinge,Cover	F010226	1
8	Nut, Brass Jam 1/4-20	F092987	1
9			
10	Retainer, Eccentric Axle	F035155	1
11	Eccentric Axle	F035147	1
12	Lever, Inker Adjustment	F035130	1
13	Screw, 1/4-20 x 7/8" Soc. Fl. Hd.	F035152	3
14	Nut, 3/8-24 Cap Nut	F093156	1
15	Stud, 1/4" Dia. X 3/16" Lg. W/spring groove	F010252	2
16A	Cover Stop - 1" (Model 21 only)	F010218	1
16B	Cover Stop - 2" (Model 22 only)	F010219	1
16C	Cover Stop - 3" (Model 23 only)	F010221	1
17	Washer, Nylon, .260" ID x 11/16" OD x .031	F093420	1
18	Washer, Nylon, 1/2" ID x 11/16" OD x .062	F036917	1
19A	1" Marking Wheel Axle	F010260	1
19B	2" Marking Wheel Axle	F010261	1
19C	3" Marking Wheel Axle	F010262	1
20	Collar, Shaft, .254" ID x 1/2" OD	F036241	1
21	Screw, Pan, phil - 8-32 x 5/16	F035098	4

KIWI CODERS CORPORATION - 265 E MESSNER DR., WHEELING, IL 60090 USA  
 phone: 847-541-4511 fax: 847-541-6332

GIVE SERIAL NUMBER OF MACHINE WHEN ORDERING PARTS.  
 ORDER PARTS BY FULL DESCRIPTION AND PART NUMBER.





**FIG. 1 MAIN ASSEMBLY**



ORDER PARTS BY PART NUMBER AND DESCRIPTION.



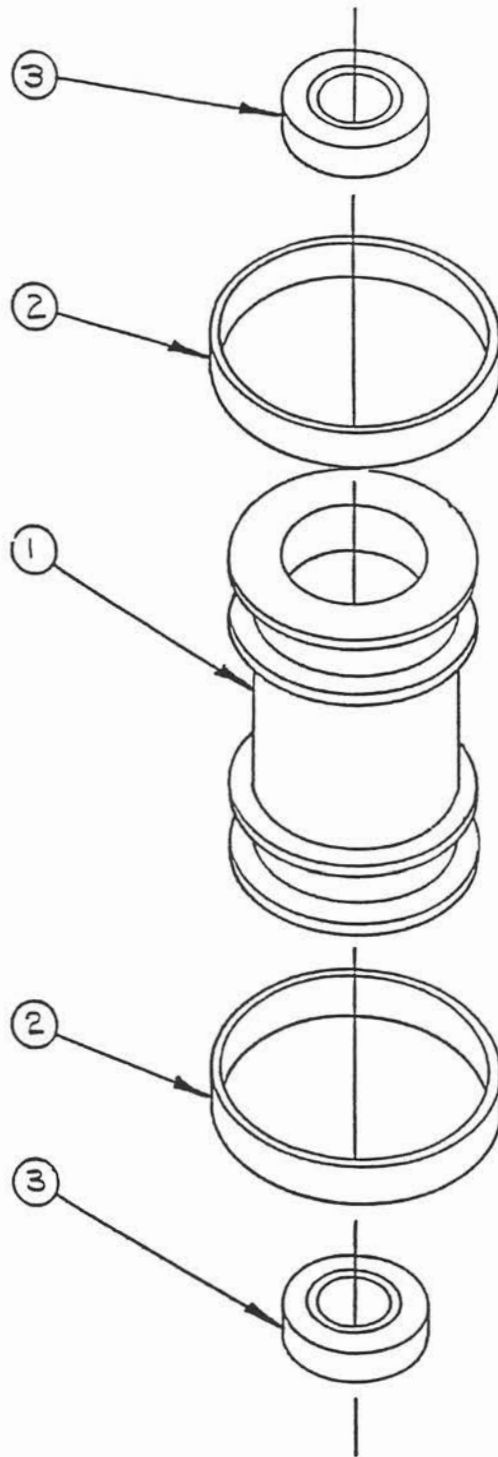
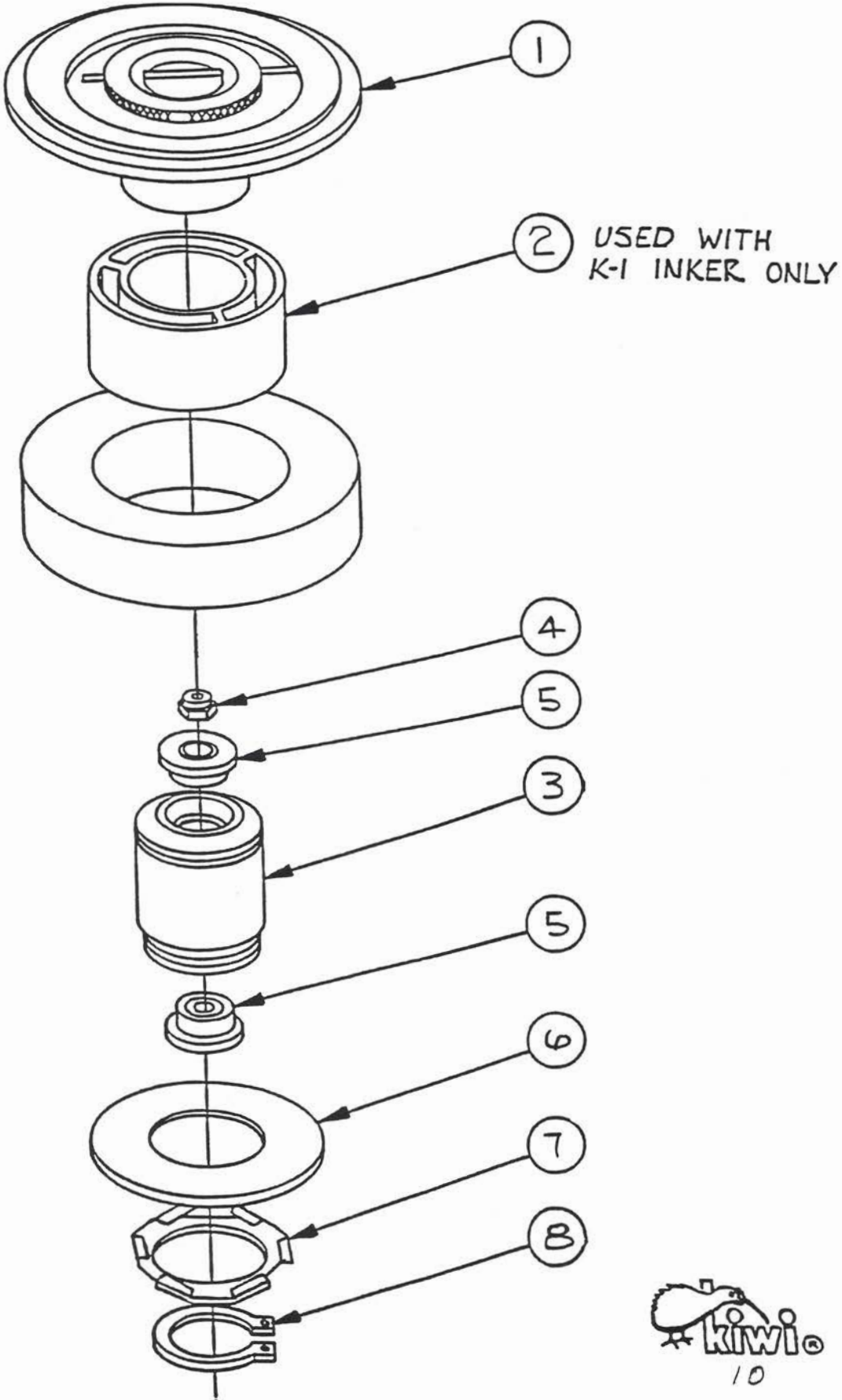


FIG. 3 PRINTING WHEEL ASS Y.





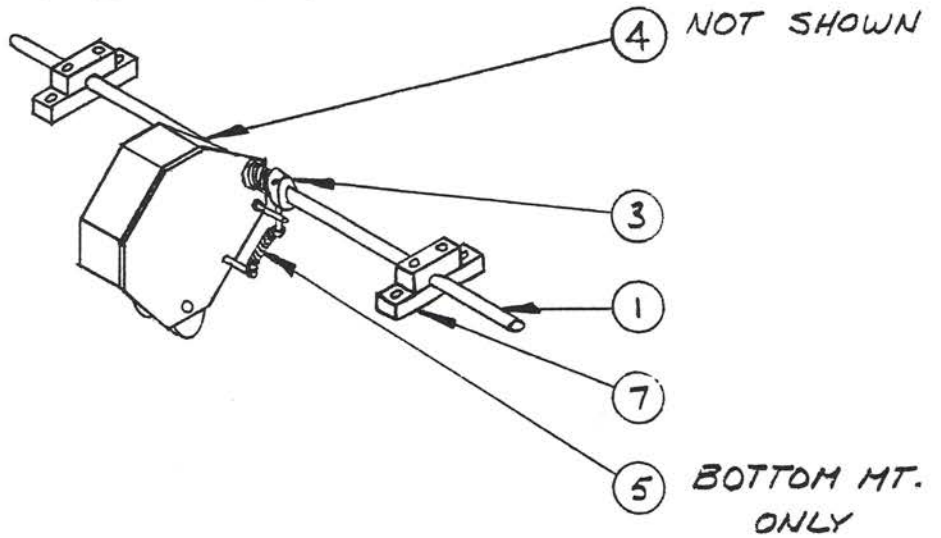
INKER ASSEMBLY. K1 & K7 INKERS.  
FIGURE 4



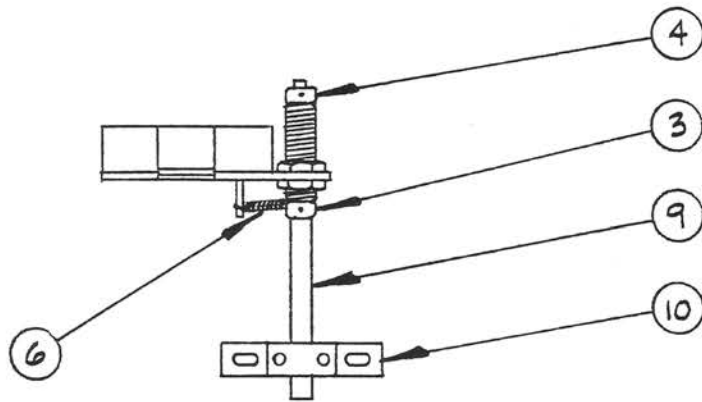


KIT, CODER MTG. - TOP P/N F092689

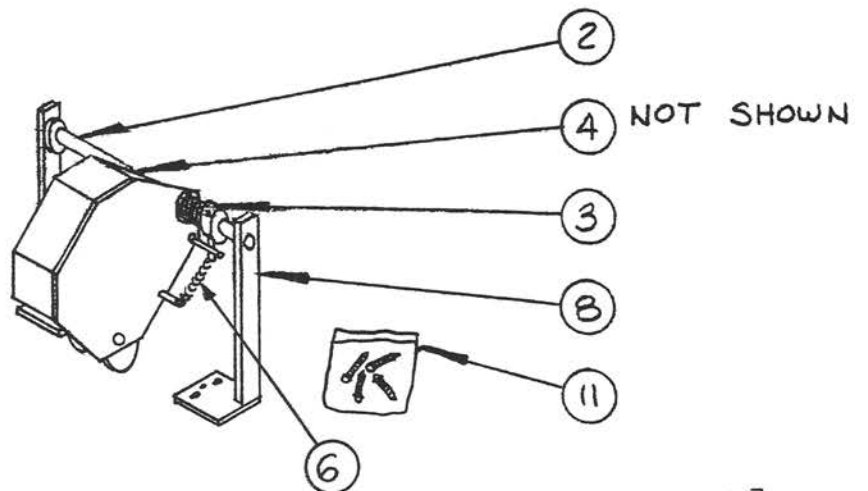
KIT, CODER MTG. - BOTTOM P/N F092690



KIT, CODER MTG. - SIDE P/N F092691



KIT, CODER MTG. - CIGARETTE PKG. P/N F092692



**FIG.5 MOUNTING KITS + HARDWARE**



ORDER PARTS BY PART NUMBER AND DESCRIPTION.