



# Series 20 Mini Coder



## Features

- Compact- Fits restricted spaces
- Continuous or registered imprints
- Ideal for imprinting small, lightweights cartons, ( Low starting torque)
- Quick change ink cartridges, KI, K6, or K7. Inks for absorbent or semi-absorbent surfaces
- Hinged cover protects ink

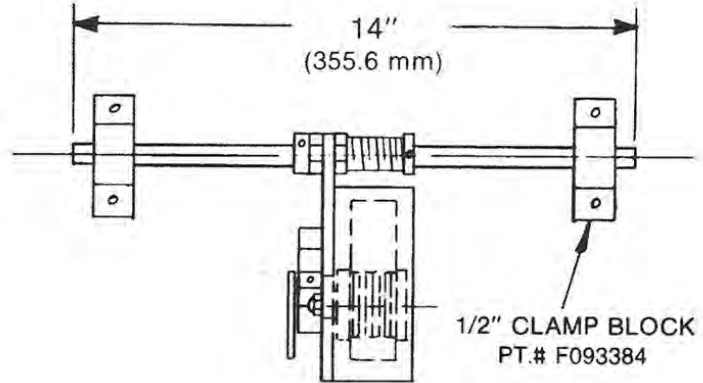
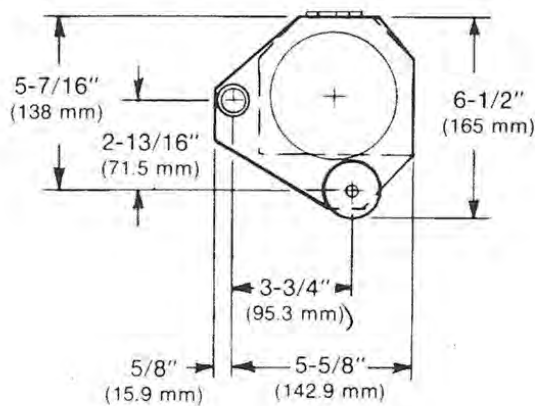


## Applications

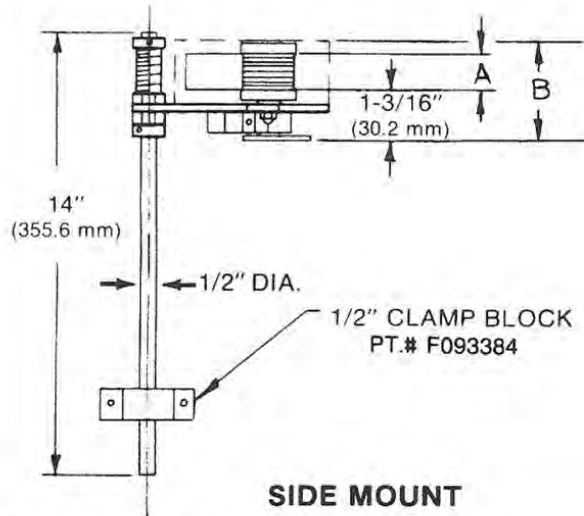
- Lightweight cartons and packs with continuous printing on webstock.

# KIWI SERIES 20 MINI CODERS

## Mounting Dimensions and Specifications



**TOP MOUNT**



**SIDE MOUNT**

Model	A PRINT HEIGHT	B OVERALL HEIGHT
21	7/8" (22.2 mm)	3" (76.2 mm)
22	1-7/8" (47.6 mm)	4" (101.6 mm)
23	2-7/8" (73 mm)	5" (127 mm)

**Note:** Coders furnished with mounting hardware and one ink cartridge less printing type.

### SPECIFICATIONS:

**Marking Wheel:** 6" (152mm) circumference. 1" (25.4mm) 2" (51mm) or 3" (76mm) marking wheel widths. 1/4" (6mm) wide replaceable rubber drive tracks. Continuous random imprint. Registered imprint optional

**Type System:** Baselock (Bulletin 160) or Kiwi elastic type bands.

**Inking System:** Quick change K1, K6, or K7 ink cartridges. Protective cover. Adjustable. Inks available for absorbent and semi-absorbent surfaces. Black, red, green, and blue colors available.

**Weight:** Approx. 5-1/2 lbs. (2.5 Kg.)

### How to Order:

1. Specify mounting — side, top or bottom.
2. Specify left or right hand mounting if side mount.
3. Specify ink color and surface to be imprinted.
4. Specify type size/style, message to be imprinted.

Model 2    
 { S — Side Mount  
 { T — Top or Bottom  
 { 1 — 1" (25 mm) marking wheel width  
 { 2 — 2" (51 mm) marking wheel width  
 { 3 — 3" (76 mm) marking wheel width

Example: Model 21S



## Kiwi Coders Corporation

265 E. Messner Drive • E-mail: [info@kiwicoders.com](mailto:info@kiwicoders.com)

Wheeling, IL 60090 • Phone: (847)541-4511

[www.kiwicoders.com](http://www.kiwicoders.com) • Fax: (847) 541-6332