

**REPLACEMENT OR
ADDITIONAL MANUALS
AVAILABLE AT
EXTRA COST.**

KIWI CODERS CORPORATION
SERIES 460 CODERS

KIWI CODERS CORPORATION - 265 E. MESSNER DRIVE, WHEELING, IL 60090-6495 USA
PHONE: 847-541-4511 FAX: 847-541-6332
E-MAIL: info@kiwicoders.com INTERNET: www.kiwicoders.com

GIVE SERIAL NUMBER OF YOUR PRINTER WHEN ORDERING PARTS.
ORDER PARTS BY FULL DESCRIPTION AND PART NUMBER.

INSTALLATION NOTE

THE SERIES 460 CODER MUST BE INSTALLED
ON A POWER CONVEYOR FOR PROPER OPERA-
TION. INSTALLATION ON ROLLER OR OTHER
TYPES OF CONVEYORS IS NOT RECOMMENDED.

KIWI CODERS CORPORATION

SERIES 460

INSTALLATION AND OPERATION INSTRUCTIONS

1. Mounting:

- a. Remove mounting block from shaft.
- b. Attach mounting block and air filter assembly to conveyor framework with four 5/16" bolts. Choose a location near an air supply.
- c. Re-insert coder shaft into mounting block and secure shaft temporarily by tightening clamp.

2. Connecting Air Supply:

Caution Note: When air pressure is applied to the system, the coder will swing into a fully extended position. Remove all obstructions before connecting air supply.

- a. Connect 1/4 tube from air cylinder to 1/4 tube fitting on filter assembly.
- b. Connect air supply to filter assembly.
- c. The air pressure regulator is set at approximately 1 PSI which is adequate for most applications. Pressure may be readjusted by loosening the phillips screw on top of the regulator. It should never be necessary to go above 30 PSI.
- d. A floor control valve located at the front of the air cylinder controls the speed at which the coder returns to the starting position. This valve is adjusted at the factory and should not require adjustment.

3. Marking Wheel Adjustments:

- a. Height: Loosen clamp and split collar. Slide coder to desired height and tighten split collar only.
- b. Reach: With the coder in the fully extended position, rotate unit so that the center of the marking wheel contacts the front of the case approximately 4" from the side of the case. Secure shaft by tightening clamp.

- c. Print Registration: The indexing spline located on the timer (Fig.7) provides a means for positioning an imprint on the case without having to move the type in the marking wheel. Print location is adjusted by loosening the knob on top of the marking wheel, raising the wheel slightly, and indexing one tooth at a time until a satisfactory location is reached. Each increment moves the print approximately 1/4".

Retighten the knob securely and adjust anti-repeat ring.

- d. Anti-repeat: With the marking wheel in contact with the case 4" from the side, and the print registered properly, loosen the three screws on top of the marking wheel. Adjust the anti-repeat ring so the leading nylon bearing makes contact with the case at the same time as the marking wheel. Then, retighten screws.

- e. Removing the Marking Wheel:

1. Loosen clamp screw and swing coder away from conveyor.
2. Move inker away from marking wheel
3. Unscrew triangular knob on marking wheel.
4. Lift off the marking wheel from the indexing spline.

- f. Installing the Marking Wheel:

1. Position marking wheel in desired location and carefully lower onto spline.
2. Tighten triangular knob on marking wheel and then adjust the inker contact with the marking wheel.

4. Type Systems

The Series 460 was designed to accept the following type systems.

1. Kiwi Channelok Deepcut Type (standard)
2. Baselock Type (optional)
3. Kiwi Adhesive Back Printing Mat (optional)

In all cases, the type projection beyond the rubber drive tracks is approximately .020". These three type systems are described below:

a. Channelok Type (standard)

See Kiwi Bulletin 191. Kiwi deep cut channelok type is available in either individual characters or in strips containing full words, messages or numerals.

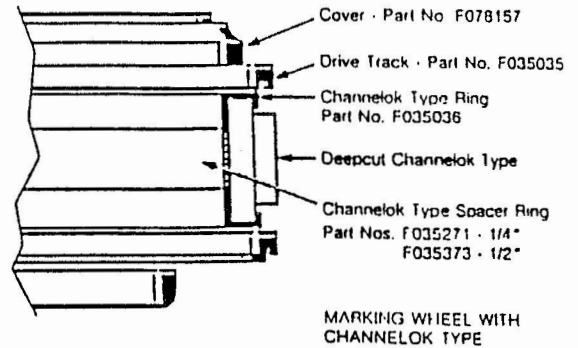


FIGURE 1.

Figure 1 shows the general Channelok assembly while Figure 2 will aid in selecting the proper type for your requirements.

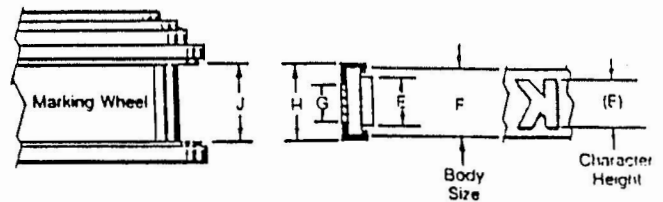


FIGURE 2.

First, determine the character height and the body size of the type. Then, using the charts and figures shown make certain that your type needs do not exceed the available space in the marking wheel.

a.

CHARACTER HEIGHT E	BODY SIZE F	SPACER DIMEN. G	SPACE REQ'D. H
3/8	1/2	0	5/8
7/16, 1/2, 5/8	3/4	1/4	7/8
3/4, 7/8	1	1/2	1-1/8
1	1-1/4	3/4	1-3/8
1-5/16	1-1/2	1	1-5/8

The "H" dimension shown in chart "a" is the space required for a single line of type. For multiple lines of type, add the "H" dimensions together. The total must not be greater than the available space in the marking wheel ("J" dimension shown in Fig. 2 and Chart "b").

b.

MODEL	AVAILABLE SPACE J
461	1-1/8
462	2-1/4
463	3-3/8

Note: Dimensions shown in inches

b. When replacing ink cartridge, move lever so cartridge is fully backed away from marking wheel.

Kiwi Channelok Deepcut Type is available for the Series 460 as listed in Chart "c"

C.

CHARACTER HEIGHT (inches)	CHARACTER HEIGHT (mm)	STYLE
3/8	10	227D
7/16	11	228D
1/2	13	229D
5/8	16	230D
3/4	19	231D
7/8	22	232D
1	25	400D
1-5/16	33	401D

b. Baselock type (optional)

See Kiwi Bulletin #160. Baselock type is mounted to the marking wheel by pressing it into the baselock rings as shown in Fig. 3.

Before installation, loosen marking wheel cover and separate the rings slightly. Wetting the rings with water will ease installation. Retighten cover securely when type installation is complete.

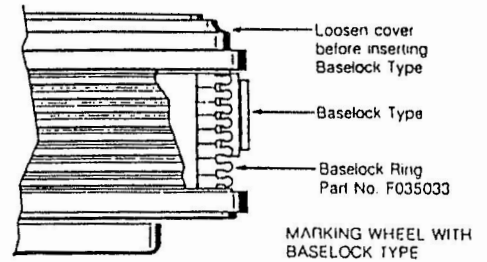


FIGURE 3.

CAUTION: Mixing old and worn type with new type may result in inconsistent inking and poor imprints. It is recommended that new type be used at all type changes.

d.

MODEL	NUMBER OF BASELOK RINGS
461	9
462	17
463	25

c. Printing Mats - Adhesive Back

A cylindrical sleeve, which slides over the marking wheel and is locked in place to prevent rotation, is available for 1/8" adhesive backed printing mats. The sleeve permits installation and removal of copy in one piece, and is best suited for multi-line copy, company logos and designs.

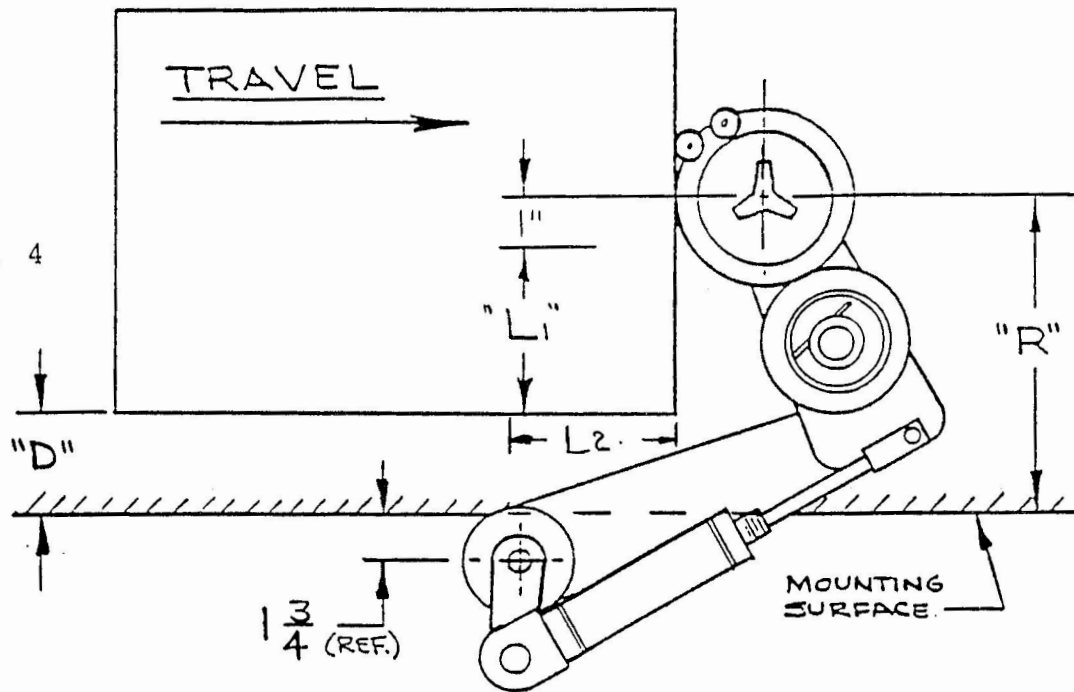
5. Ink Cartridge Adjustment:

a. The lever on the bottom of the ink cartridge is used for cartridge adjustment. Move lever until kiss contact between the cartridge and type is obtained. Excessive pressure will:

1. Restrict marking wheel rotation.
2. Cause premature cartridge wear.
3. Reduce ink mileage.

6. Mounting Recommendations:

Fig. 4



D = Distance from coder mounting surface to side of case.

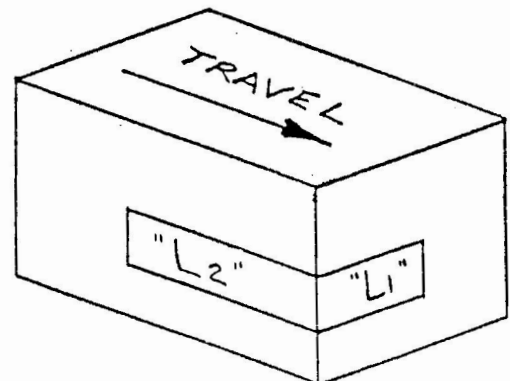
R = Maximum reach of marking wheel.

L1 = Maximum length of imprint on front surface.

Note: Maximum imprint length = 12"

d.

D	R.max	L1 max	L2
2"	9-1/4"	6-1/4"	5-3/4"
3"	10"	6"	6"
4"	10"	5"	7"
5"	10"	4"	8"
6"	10"	3"	9"
7"	10"	2"	10"



Note: Minimum recommended "D" is 2".

Fig. 5

PARTS LIST

FIGURE 6

ITEM	DESCRIPTION	PART NO.	QTY
1	Assy, Base L. H.	F039101	
	Assy, Base R. H.	F039100	
2	Assy, Bearing & Housing (See figure 7)	F039082	
3	Assy, Air Cylinder (see figure 11)	F037472	
4	Assy, Cover L. H. - 1"	F039162	
	Assy, Cover L. H. - 2"	F039163	
	Assy, Cover L. H. - 3"	F039164	
	Assy, Cover R. H. - 1"	F039157	
	Assy, Cover R. H. - 2"	F039158	
	Assy, Cover R. H. - 3"	F039159	
5	Assy, Anti-Repeat - Complete (See figure 8)	F038051	
6	Clevis	F036629	
7	Assy, Pivot Block	F039083	
8	CUSHION, STOP	F039113	

KIWI CODERS CORPORATION-265 E. MESSNER DR.-WHEELING, IL 60090

GIVE SERIAL NUMBER OF MACHINE WHEN ORDERING PARTS.
ORDER PARTS BY FULL DESCRIPTION AND PART NUMBER.

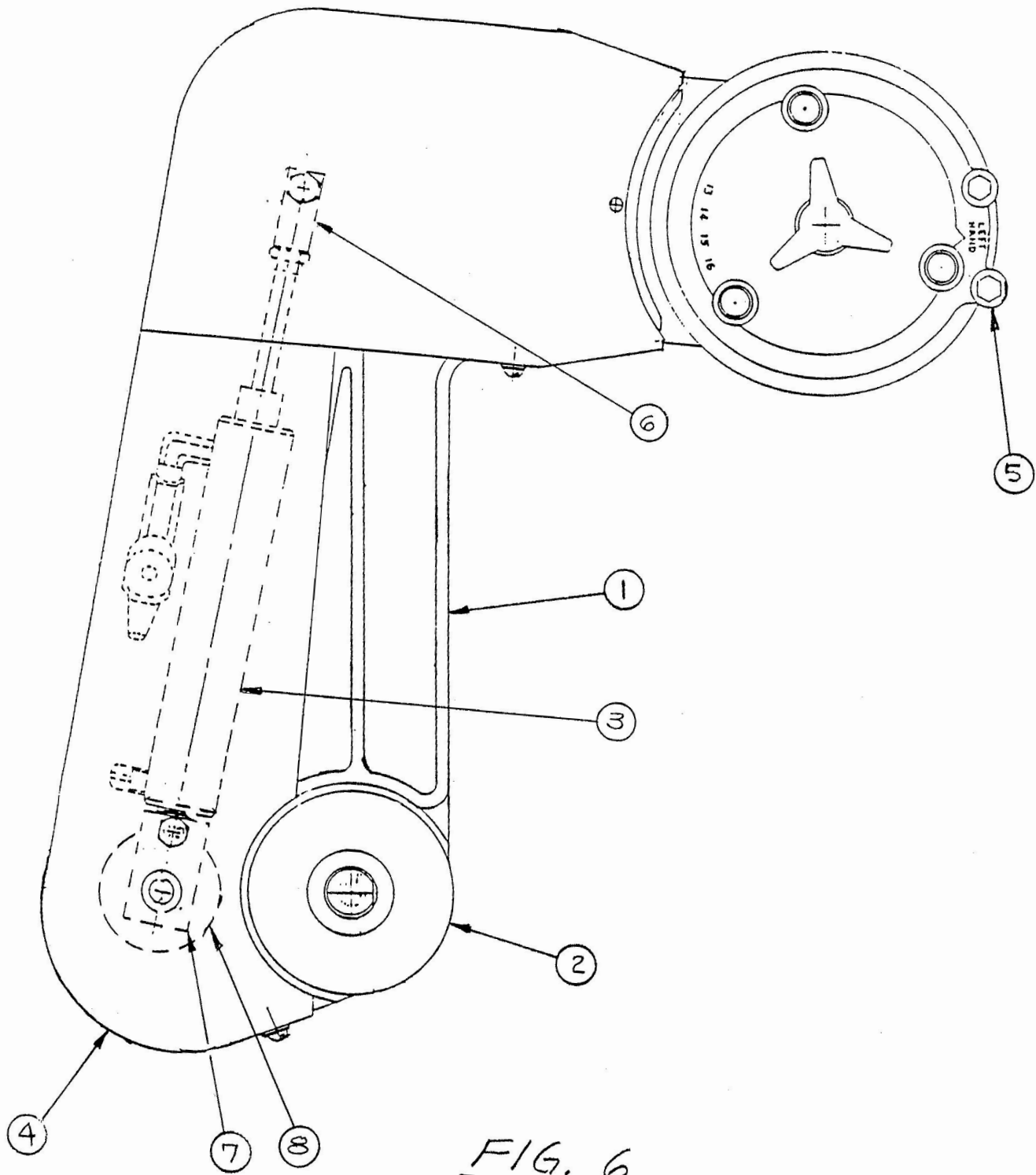


FIG. 6

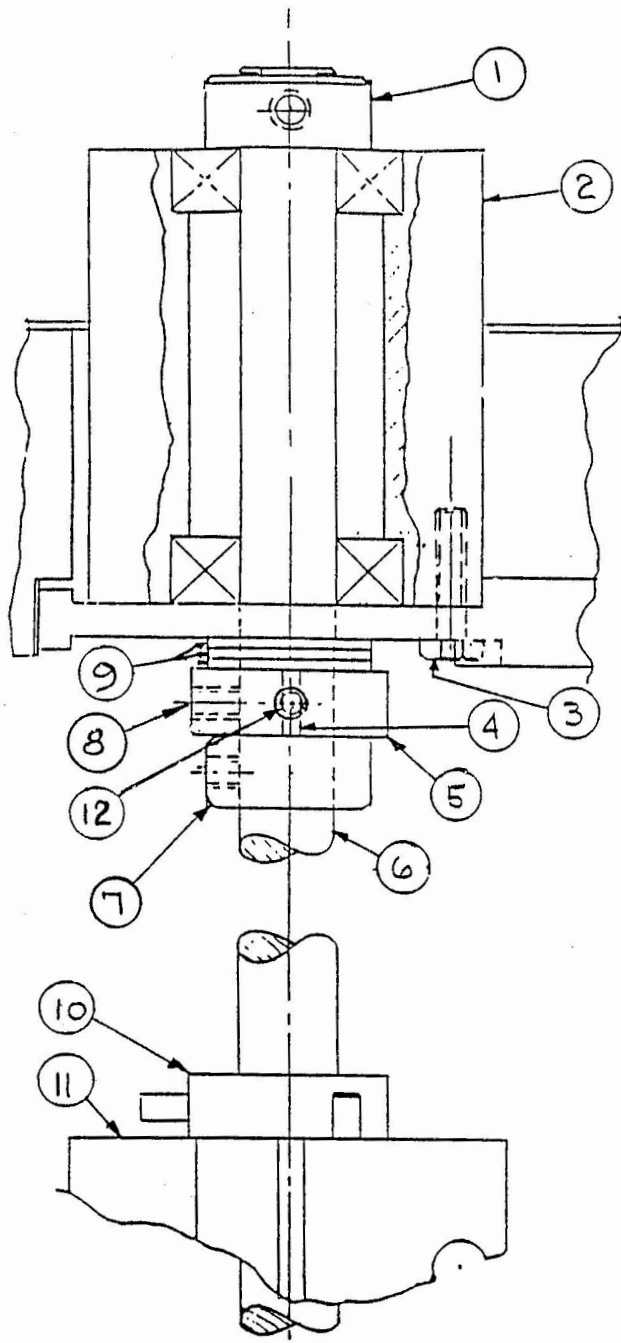
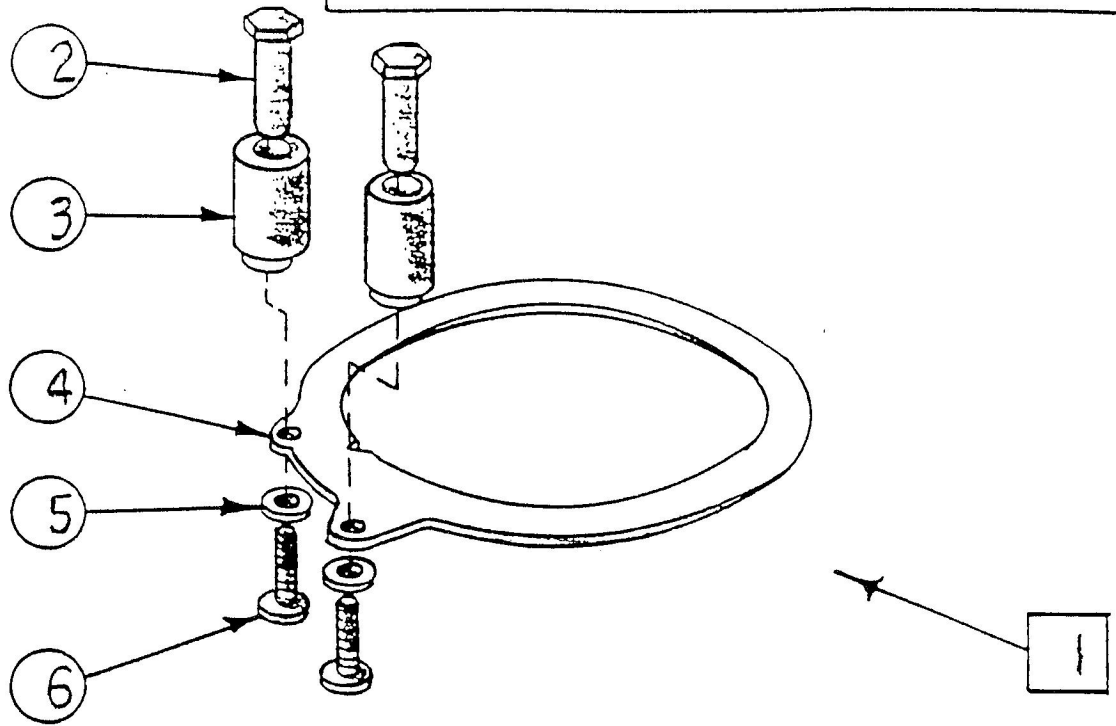


FIG. 7

ANTI - REPEAT ASSEMBLY

FIGURE 8



ITEM	DESCRIPTION	PART NO	QTY.
1	ANTI - REPEAT ASSEMBLY, COMPLETE	F038051	1
2	ROLLER AXLE	F036978	2
3	ROLLER, ANTI - REPEAT	F036980	2
4	ANTI - REPEAT RING	F038030	1
5	#10 LOCKWASHER	F011162	2
6	#10-32 X 1/2 SCREW	F011153	2

PARTS LIST

(FIG. 9)

ITEM	DESCRIPTION	PART NO.	QTY
1	Assy, Cover - Marking Wheel	F038056	1
2	Knob	F036964	1
3	Thumb Screw, 10-32	F036987	1
4	Washer, 1/4 ID	F035117	1
5	Cover, Marking Wheel	F038036	1
6	Retaining Ring, 1/4	F035093	1
7	Retaining Ring, 3/4	F037013	1
8	Track, Drive - Rubber - Mkg Wheel	F035035	1
9	Assy, Marking Wheel - 1"	F038058	1
	Assy, Marking Wheel - 2"	F038059	1
	Assy, Marking Wheel - 3"	F038060	1
10	Marking Wheel - Only - 1"	F038037	1
	Marking Wheel - Only - 2"	F038038	1
	Marking Wheel - Only - 3"	F038039	1
11	Bearing 3/8 ID x 7/8 OD	F031003	1
12	Ring, Retaining 7/8 Internal	F037001	1
13	Spring, Garter - 1" or 2"	F036960	2
	Spring, Garter - 3"	F036960	3
14	Ring, Retaining 1/2 External	F011152	1
15	Washer, 1/2 ID	F031021	1
16	Bearing, Sleeve - Nylon - 1/2 ID	F036954	1
17	Axle, Marking Wheel - 1"	F039077	1
	Axle, Marking Wheel - 2"	F039078	1
	Axle, Marking Wheel - 3"	F039079	1
18	Cam	F036970	1

KIWI CODERS CORPORATION-265 E. MESSNER DR.-WHEELING, IL 60090

GIVE SERIAL NUMBER OF MACHINE WHEN ORDERING PARTS.
ORDER PARTS BY FULL DESCRIPTION AND PART NUMBER.

PARTS LIST

(FIG. 9)

ITEM	DESCRIPTION	PART NO.	QTY
19	Assy, Timer	F038029	1
20	Pulley, Timer with hub	F036975	1
21	Screw, Shoulder - 10-32 x 1/4 x 5/16 Lg	F037019	1
22	Indexing Gear & Plate	F038032	1
23	Screw, #10-32 x 3/4	F037011	1
24	Bearing, 3/16 ID x 1/2 OD	F011170	1
25	Spacer, Cam Follower	F036961	1
26	Arm, Cam Follower	F036966	1
27	Bushing	F036969	1
28	Lockwasher, #10	F011162	1
29	Pulley, Timer w/o hub	F036976	1
30	Axle, Pulley	F036977	1
31	Screw, #10-32 x 1/2	F011153	1
32	Ring, Type - Channelok	F035036	1
33	Ring, Spacer - 1/4	F035271	1
34	Ring, Spacer - 1/2	F035272	1
35	Sleeve, Type - Adhesive Mat - 1"	F038023	1
	Sleeve, Type - Adhesive Mat - 2"	F038024	1
	Sleeve, Type - Adhesive Mat - 3"	F038025	1
	Sleeve, Type - Baselock Base - 1"	F038095	1
	Sleeve, Type - Baselock Base - 2"	F038096	1
	Sleeve, Type - Baselock Base - 3"	F038097	1
36	Ring, Type - Baselock	F035033	1

KIWI CODERS CORPORATION-265 E. MESSNER DR.-WHEELING, IL 60090

GIVE SERIAL NUMBER OF MACHINE WHEN ORDERING PARTS.
ORDER PARTS BY FULL DESCRIPTION AND PART NUMBER.

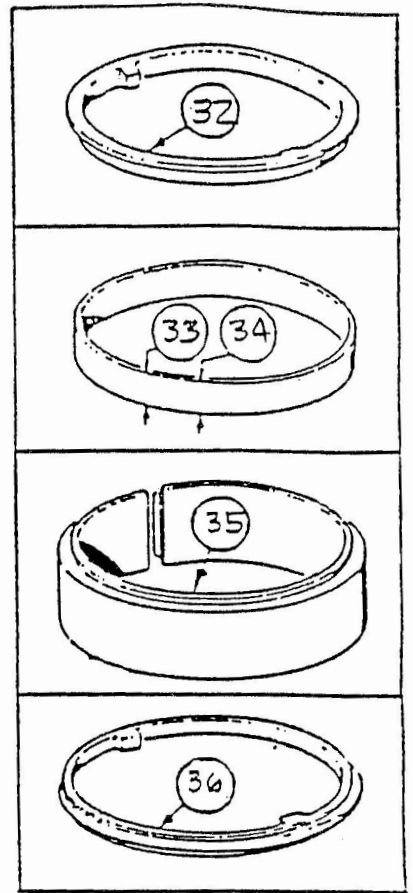
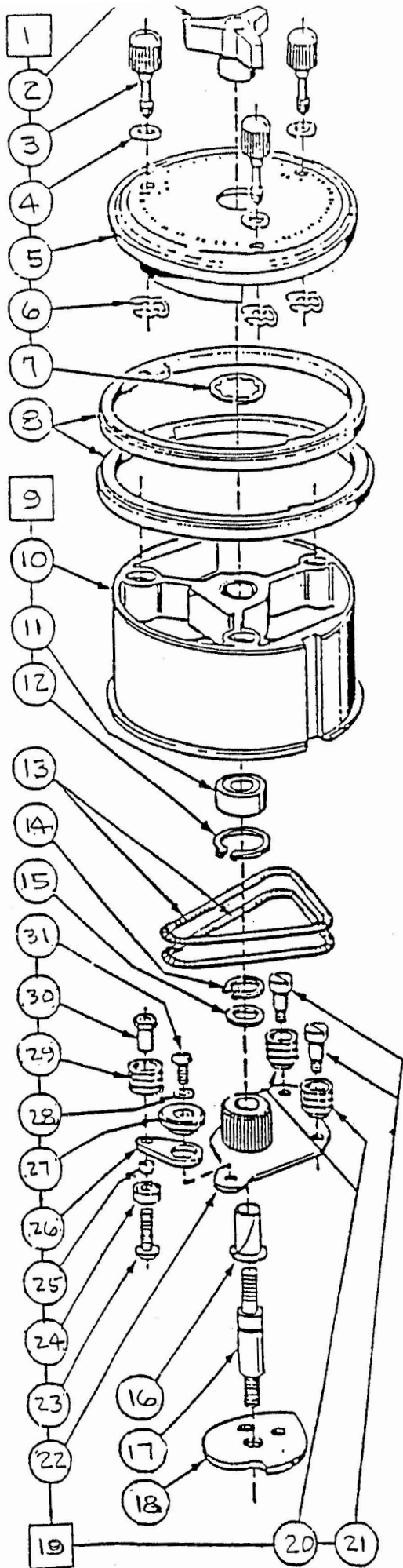


FIG. 9

PARTS LIST

(FIG. 10)

ITEM	DESCRIPTION	PART NO.	QTY
1	Assy, Inker Spindle - 1"	F038053	1
	Assy, Inker Spindle - 2"	F038054	1
	Assy, Inker Spindle - 3"	F038055	1
2	Finger Grip	F036959	1
3	O-Ring	F037004	1
4	Retaining Ring - 1-1/4 Internal	F037002	1
5	Spindle, Inker Only - 1"	F038033	1
	Spindle, Inker Only - 2"	F038034	1
	Spindle, Inker Only - 3"	F038035	1
6	K-1 Adapter (Use with K-1 Inker)	F035069	1
7	K-1 Ink Cartridge - Black	N035263	1
8	K-7 Ink Cartridge - Black - 1"	N078500	1
	K-7 Ink Cartridge - Black - 2"	N078521	1
	K-7 Ink Cartridge - Black - 3"	N078522	1
9	Retaining Ring 3/8 External	F035092	1
10	Sleeve Bearing, Nylon 3/8 ID	F036955	1
11	Inker Support Flange	F036958	1
12	Spring, Compression - Inker 1"	F037016	1
	Spring, Compression - Inker 2"	F037016	1
	Spring, Compression - Inker 3"	F037017	1
13	Axle, Inker - 1"	F036988	1
	Axle, Inker - 2"	F036989	1
	Axle, Inker - 3"	F036990	1
14	Screw, Butt Hd #10-32 x 1/2	F011153	1
15	L'Washer #10 Int Tooth	F011152	1
16	Flanged Bushing	F036969	1

KIWI CODERS CORPORATION-265 E. MESSNER DR.-WHEELING, IL 60090

GIVE SERIAL NUMBER OF MACHINE WHEN ORDERING PARTS.
ORDER PARTS BY FULL DESCRIPTION AND PART NUMBER.

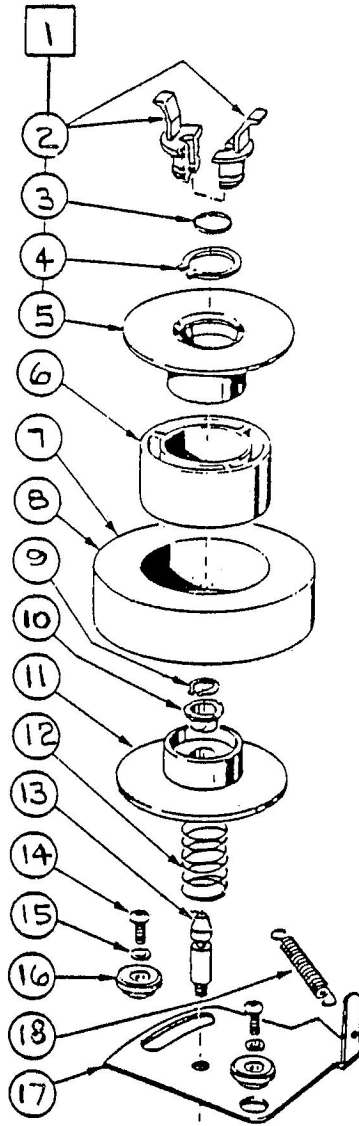
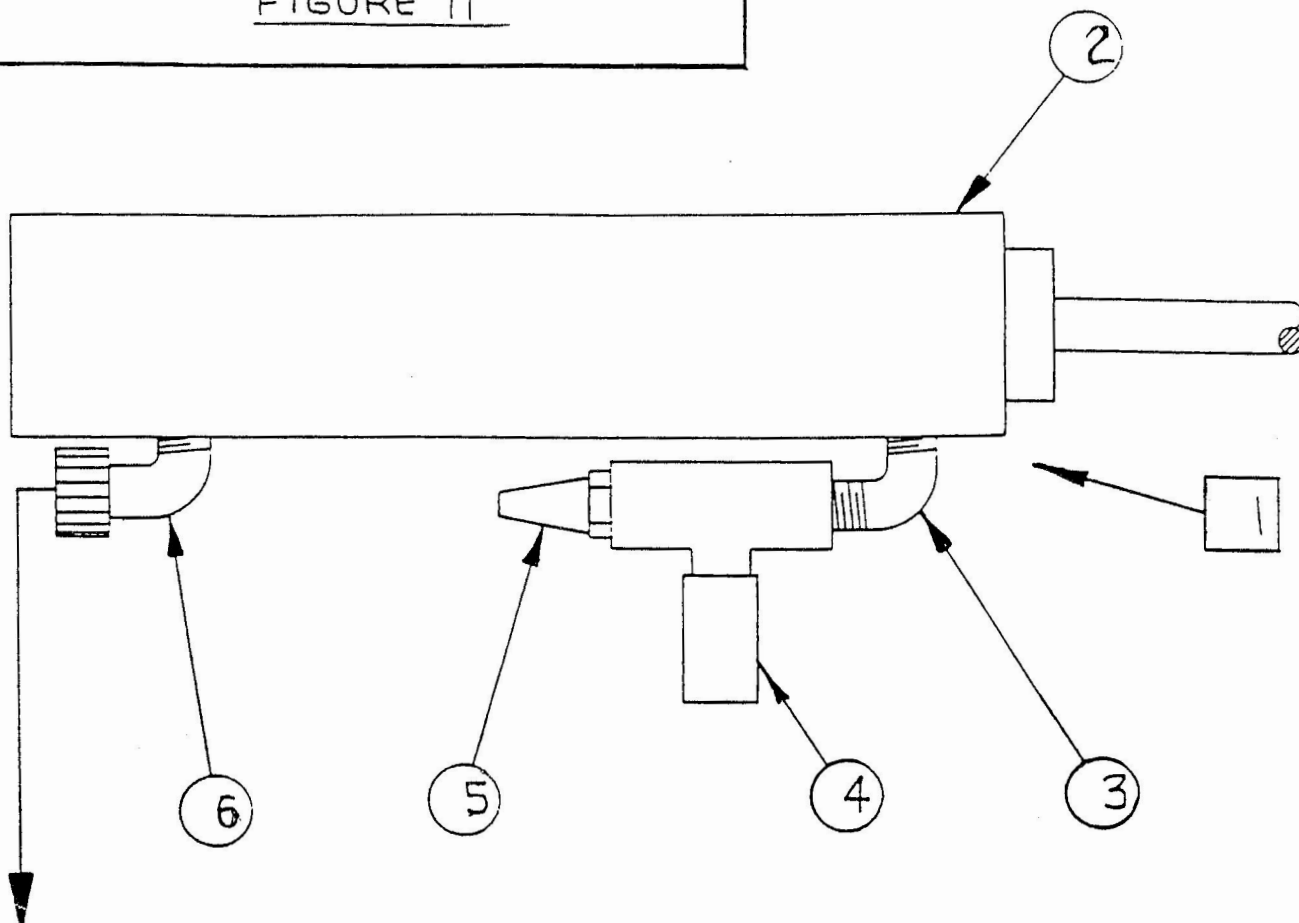


FIG. 10

AIR CYLINDER ASSEMBLY.

FIGURE 11

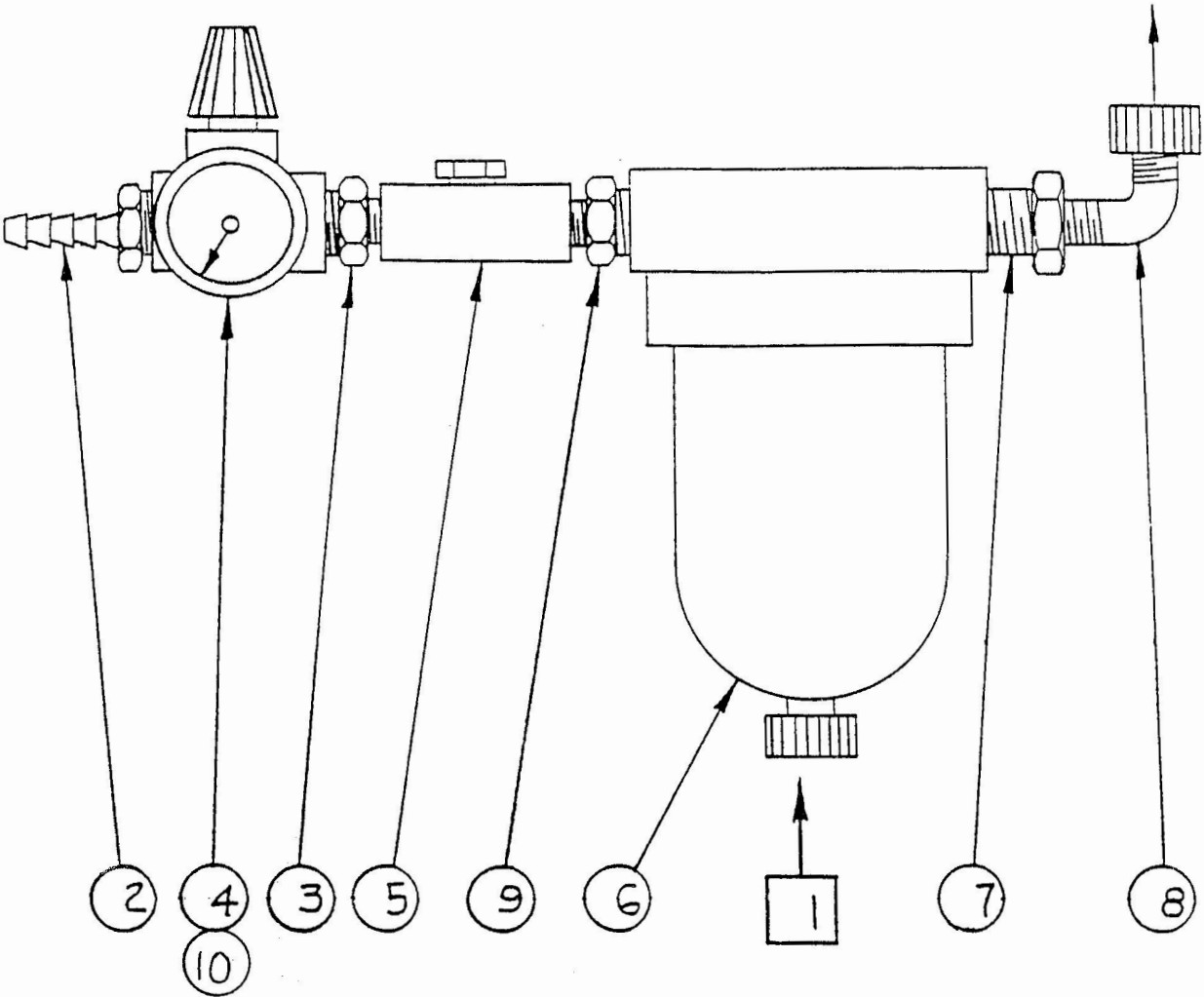


$\frac{1}{4}$ O.D. POLYETHYLENE
HOSE TO FILTER UNIT

ITEM NO	DESCRIPTION	PART NO	QTY
1	AIR CYLINDER ASSEMBLY, COMPLETE	F037472	1
2	1 $\frac{1}{16}$ BORE AIR CYLINDER	F036395	1
3	90° PIPE FITTING $\frac{1}{8} \times \frac{1}{8}$ MPT	F036422	1
4	MICROMETER CONTROL VALVE	F036402	1
5	MUFFLER / FILTER	F036404	1
6	90° COMP. FITTING $\frac{1}{4}$ OD TUBE $\times \frac{1}{8}$ MPT	F036419	1

AIR FILTER & REGULATOR ASSEMBLY
FIGURE 12

1/4" O.D. POLYETHYLENE HOSE TO CYLINDER.



ITEM	DESCRIPTION	PART NO.	QTY.
1	FILTER & REGULATOR ASSEMBLY, COMPLETE	F037473	1
2	HOSE BARB, 1/4 I.D. HOSE x 1/8 MPT.	F036446	1
3	HEX NIPPLE, 1/8 MPT.	F011169	1
4	REGULATOR W/ GAUGE, 1/8 PORTS.	F036431	1
5	CHECK VALVE.	F036408	1
6	AIRLINE FILTER.	F036452	1
7	BUSHING, 1/8 FPT x 1/4 MPT.	F036441	1
8	90° COMP. FITTING, 1/4" O.D. TUBING x 1/8 MPT.	F036419	1
9	REDUCING NIPPLE, 1/4 MPT x 1/8 MPT.	F036437	1
10	GAUGE, 0-30 PSI	F094608	1