



Series 1030 Transport

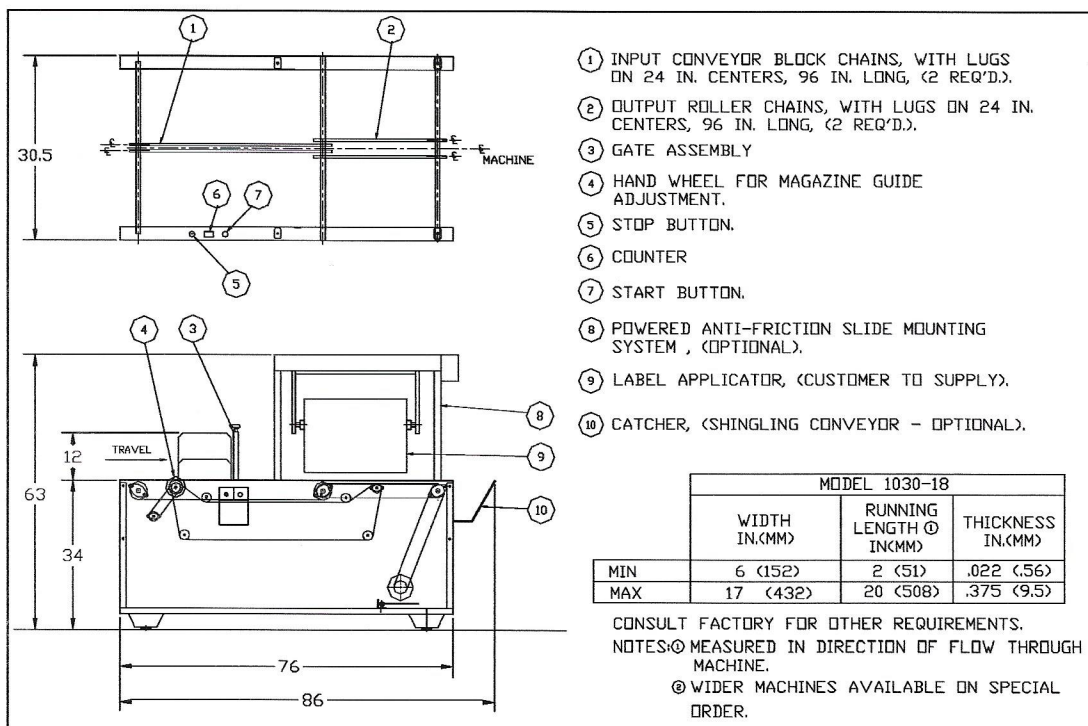
For automatically feeding folding cartons, cards, and other flat items. Ideal for use with **label applicators** and **small character ink jet** and **RFID**.

SPECIFICATIONS:

- Variable speed DC motor drive.
- Feed Rate: up to 80 per minute.
(Label rate varies by application)
- Quick adjust magazine feed.
- Individually adjustable guides.
- Totalizing Counter.
- Positive chain lug feed from bottom of magazine stack of cartons or cards.
- Electrical Controls: NEMA Type 4
- Power Requirements: 115V, 50/60 Hz or 220V, 50/60 Hz. Single phase, 15A max.
- Finish: Kiwi blue
- Shipping Weight: Approx. 1000 lbs.

OPTIONS:

- Vacuum Feed.
- Output Shingling Conveyor
- Powered Anti-friction slide mounting system.
- High Speed Feed (variable: 0-160 per minute).



Kiwi Coders Corporation, 265 E. Messner Dr. Wheeling, IL 60090 USA

847-541-4511 (phone) 847-541-6332 (fax)

e-mail: info@kiwicoders.com Website: www.kiwicoders.com

Bulletin 830