

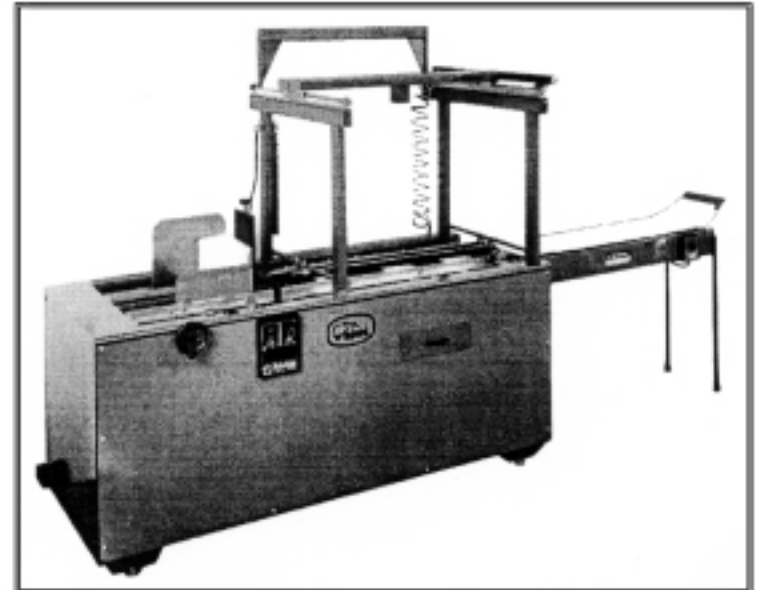
SERIES 1030 TRANSPORT



**For automatically feeding folding cartons, cards, and other flat items.
Ideal for use with Label applicators and small character ink jet printers.**

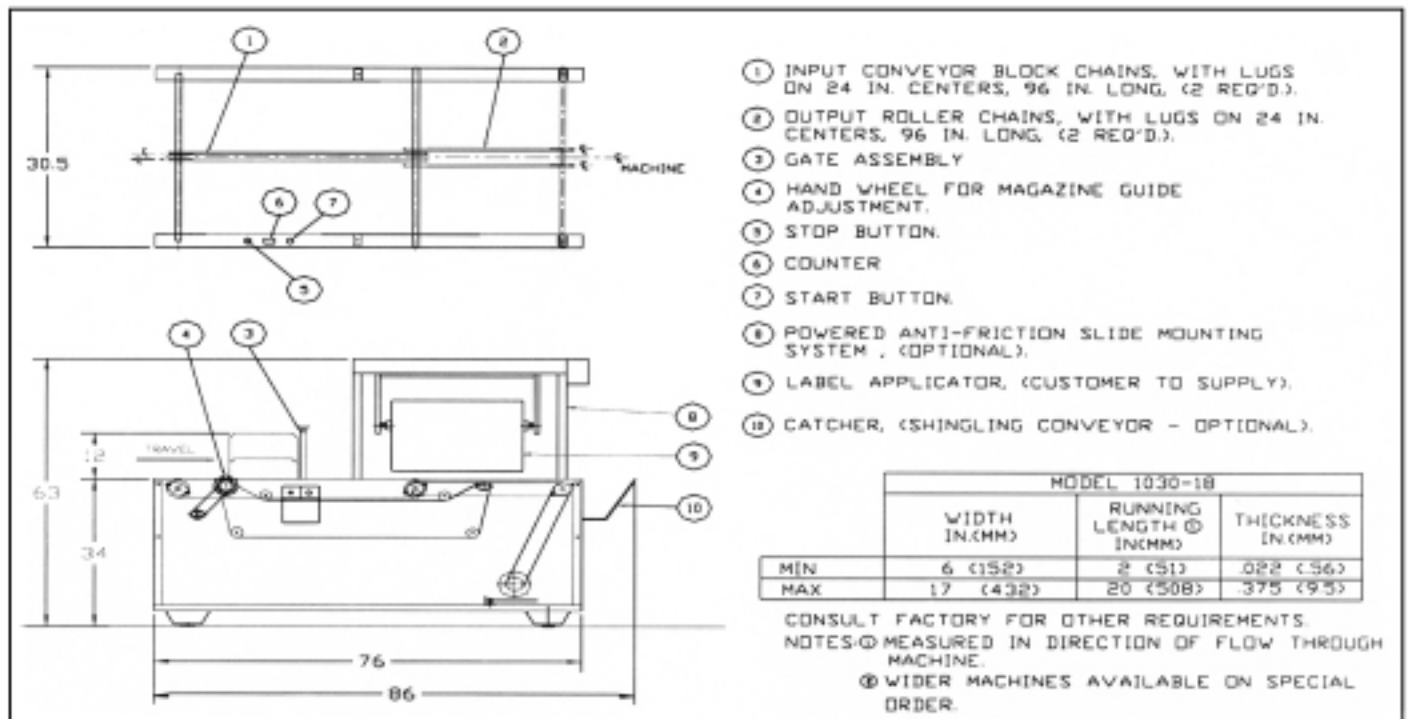
SPECIFICATIONS:

- * Variable speed DC motor drive.
- * Feed Rate: up to 80 per minute.
(Label rate varies by application)
- * Quick adjust magazine feed.
- * Individually adjustable guides.
- * Totalizing Counter.
- * Positive chain lug feed from bottom of magazine stack of cartons or cards.
- * Electrical Controls: NEMA Type 4
- * Power Requirements: 115V, 50/60 Hz or 220V, 50/60 Hz. Single phase, 15A max.
- * Finish: Kiwi blue
- * Shipping Weight: Approx. 1000 lbs.



OPTIONS:

- * Vacuum Feed.
- * Output Shingling Conveyor
- * Powered Anti-friction slide mounting system.
- * High Speed Feed (variable: 0-160 per minute).



KIWI CODERS CORPORATION

265 EAST MESSNER DRIVE - WHEELING, ILLINOIS 60090-6495 - U.S.A.
PHONE: 847/541-4511 FAX: 847/541-6332
internet: www.kiwicoders.com e-mail: kiwicoders@aol.com